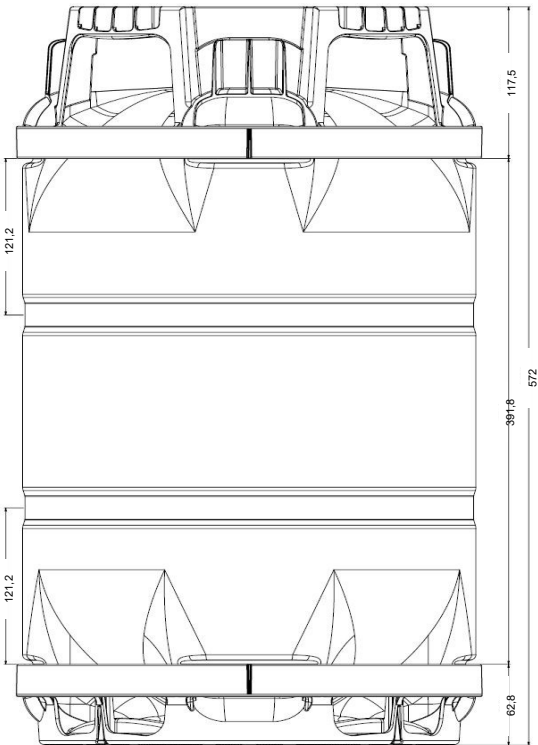
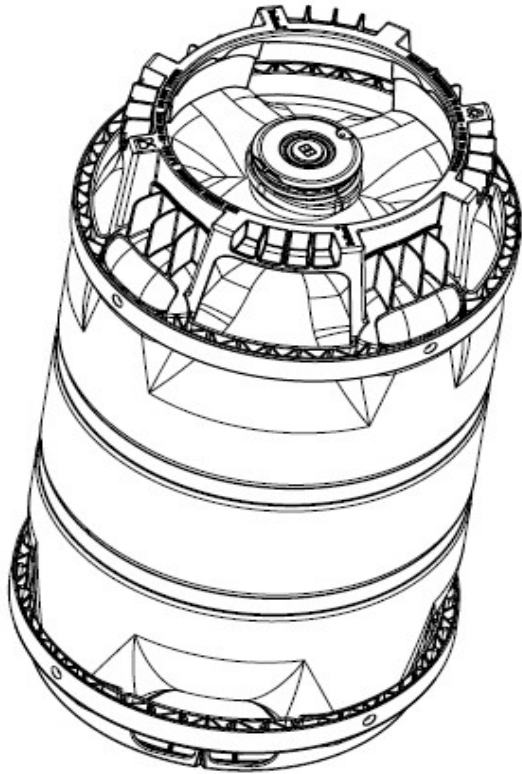


Dolium® 30L AF

PRODUCT NUMBER : 10-30AF-02



Characteristics

KEG
 Cycle: single use
 Volume: 30L
 Dimensions: D x H = 301 x 572 mm
 Weight (empty): 1,2 kg
 Temperature: 0°C < T < 35°C
 Pre- pressure: 1,0 bar CO₂ / N
 Working pressure: 3,5 bar max.
 Pressure Relief Valve: 5,0 bar +/- 0,2 bar

CONTAINER
 Oxygen ingress: Active barrier
 Carbondioxide: Passive barrier
 UV ingress: UV light barrier

CONNECTION
 Type: Flat type = A(lumasc)-type

CHIMES
 Handling: vertical and horizontal
 Storage: stackable

APPLICATIONS
 Products: Beverages
 Shelf life: Equal to stainless steel
 Certificates: EU / FDA
 Filling line: compatible - check recommended
 Draught installation: compatible
 Recyclable: 100%

for further detailed information please see Handling & Safety instructions

Special features

Contact

DispacK-projects NV
 Address: Vosseschijnstraat 192A
 Town: 2030, Antwerp
 Country: Belgium
 E-mail: sales@dolium.eu
 Website: www.dolium.eu