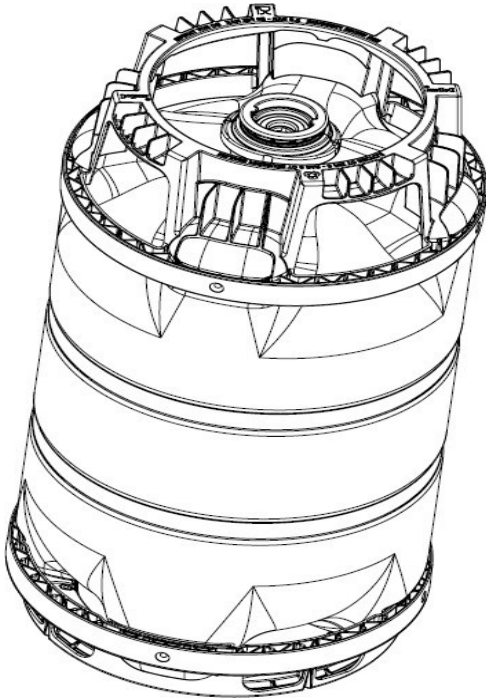


Dolium® 30L D

PRODUCT NUMBER : 10-30D-02

Characteristics



KEG

Cycle	single use
Volume	30L
Dimensions	D x H = 301 x 572 mm
Weight (empty)	1,20 kg
Temperature	0°C < T < 35°C
Pre- pressure	1,0 bar CO2/N
Working pressure	3,5 bar max.
Pressure Relief Valve	5,2 bar +/- 0,2 bar

CONTAINER

Oxygen ingress	Active barrier
Carbondioxide	Passive barrier
UV ingress	UV light barrier

CONNECTION

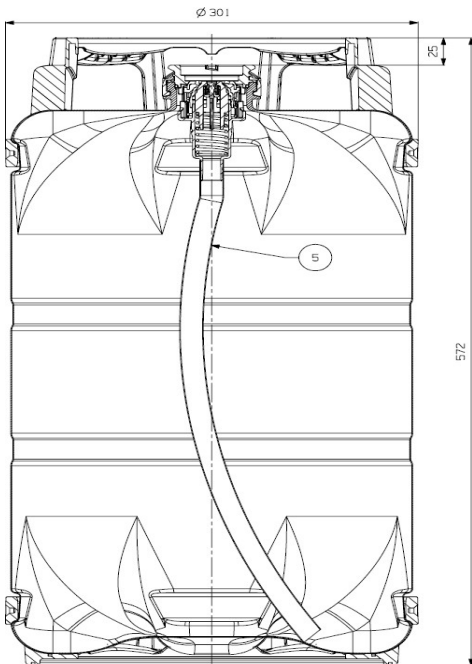
Type	D(raft) type = American Sankey-type
------	-------------------------------------

CHIMES

Handling	vertical and horizontal
Storage	stackable

APPLICATIONS

Products	Beverages
Shelf life	Equal to stainless steel
Certificates	EU / FDA
Filling line	compatible - check recommended
Draught installation	compatible
Recyclable	100%
for further detailed information please see Handling & Safety instructions	



Special features

Contact

Dispack-projects NV
 Address: Vosseschijnstraat 192A
 Town: 2030, Antwerp
 Country: Belgium
 E-mail: sales@dolium.eu
 Website: www.dolium.eu